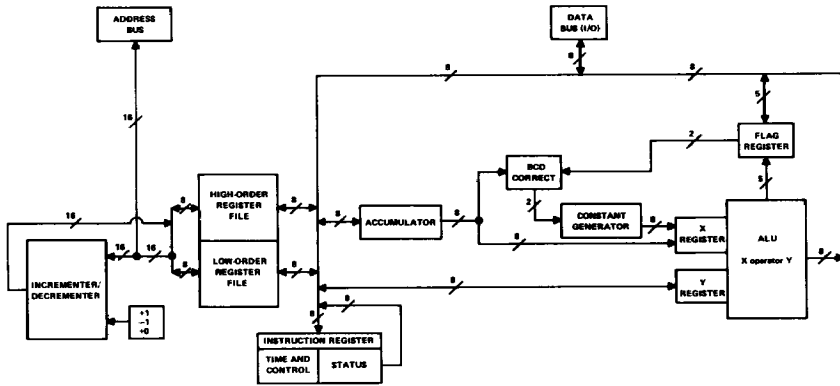


TMS 8080, TMS 5501

8-BIT MOS MICROPROCESSOR SYSTEM

TMS 8080 An Eight-Bit Central Process Unit

- 2- μ s Instruction Cycle Time
- Addresses up to 65,536 Words of Memory
- 8-Bit Bidirectional I/O Bus
- Serves up to 256 Input and 256 Output Ports
- Uses a Memory Stack for Subroutine Saves
- 8 Vectored Interrupts
- 9 Internal Registers
- 78 Instructions
- Power Supplies: 12 V, 5 V, 0 V, -5 V
- TTL-Compatible



6

A multifunction input/output circuit that is controlled by the TMS 8080 through memory referencing instructions. The TMS 5501 provides a TMS 8080 microprocessor system with a synchronous data interface, data I/O buffers, interrupt control logic, and interval timers. The TMS 8080 causes data to be transferred by the TMS 5501 by issuing commands via the system address bus. These commands include:

- read the serial receive register
- read the external data input lines
- read the interrupt address
- read TMS 5501 status information
- issue discrete commands
- load baud-rate register
- load the serial transmitter register
- load the output register
- load the interrupt mask
- load an interval timer

TMS 5501

